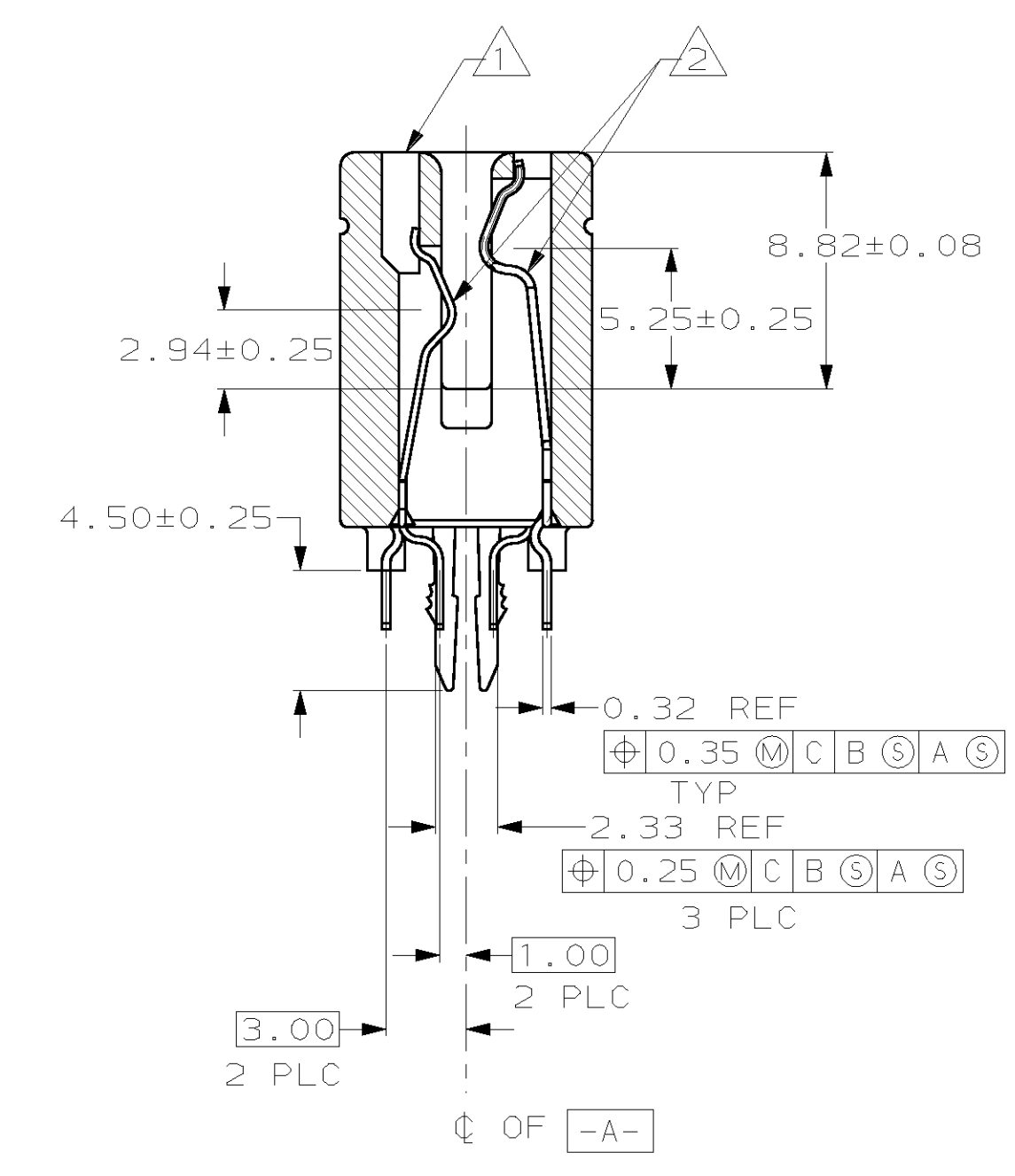
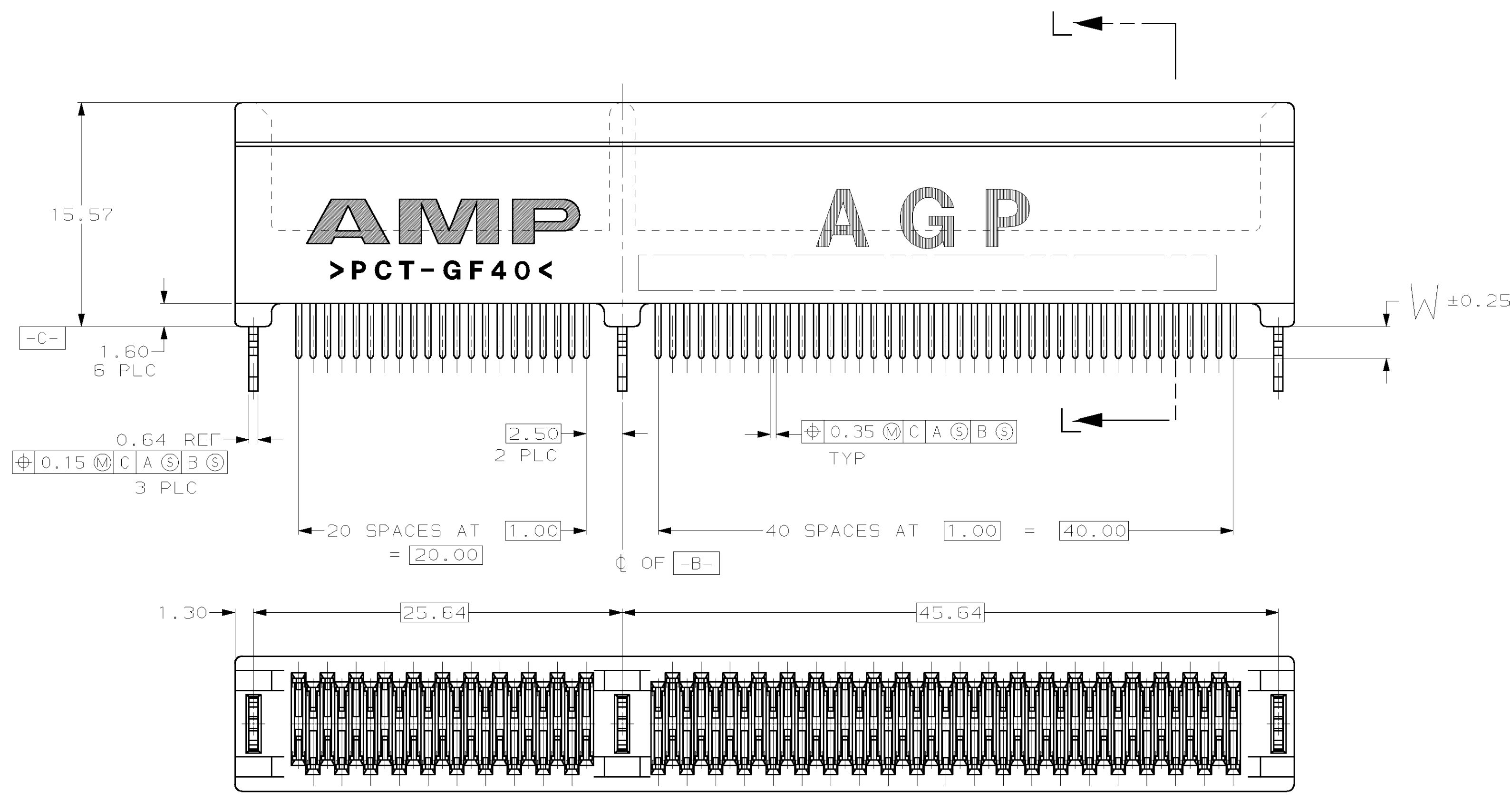
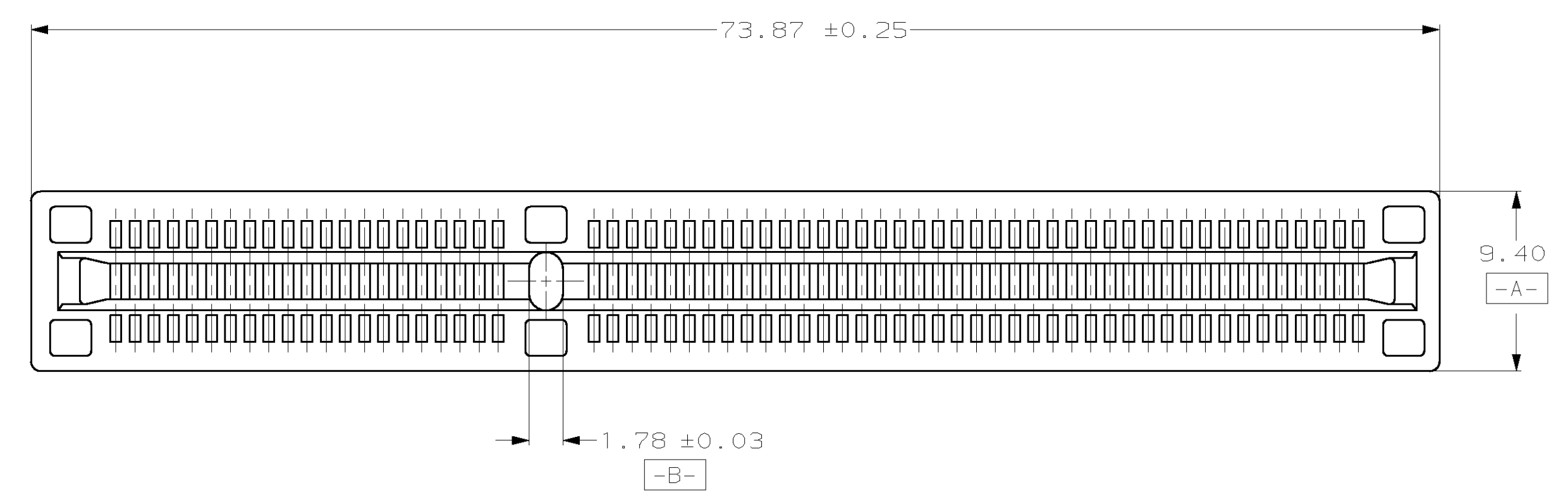


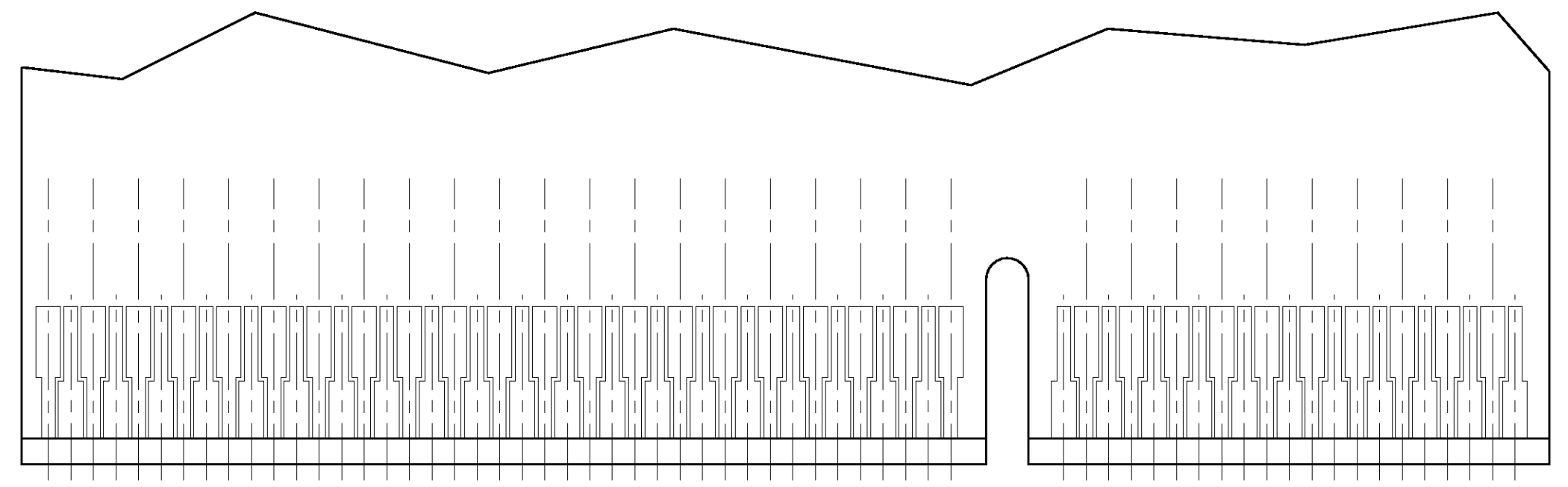
LOC	DIST	REVISIONS			
F	LTN	DESCRIPTION	DATE	OWN	APVD
		0 PRODUCT RELEASE	7/10/96	RB	MC
		A REVISED PER 0430-0163-97	5/15/97	RB	MB
		B REVISED PER 0430-0204-97	6/3/97	RB	MB
		C REVISED PER 0430-0286-97	8/14/97	RB	MB
		D REVISED PER 0651-0101-98	7/15/98	RB	DD
		E REVISED PER 0651-0107-98	8/4/98	RB	DD
		F REV PER EC 0651-0226-98	01/17/99	MM	EL
		G REV PER EC 0651-0294-98	01/20/99	MM	DD
		H REV PER 0651-0062-99	05/17/99	MM	EL



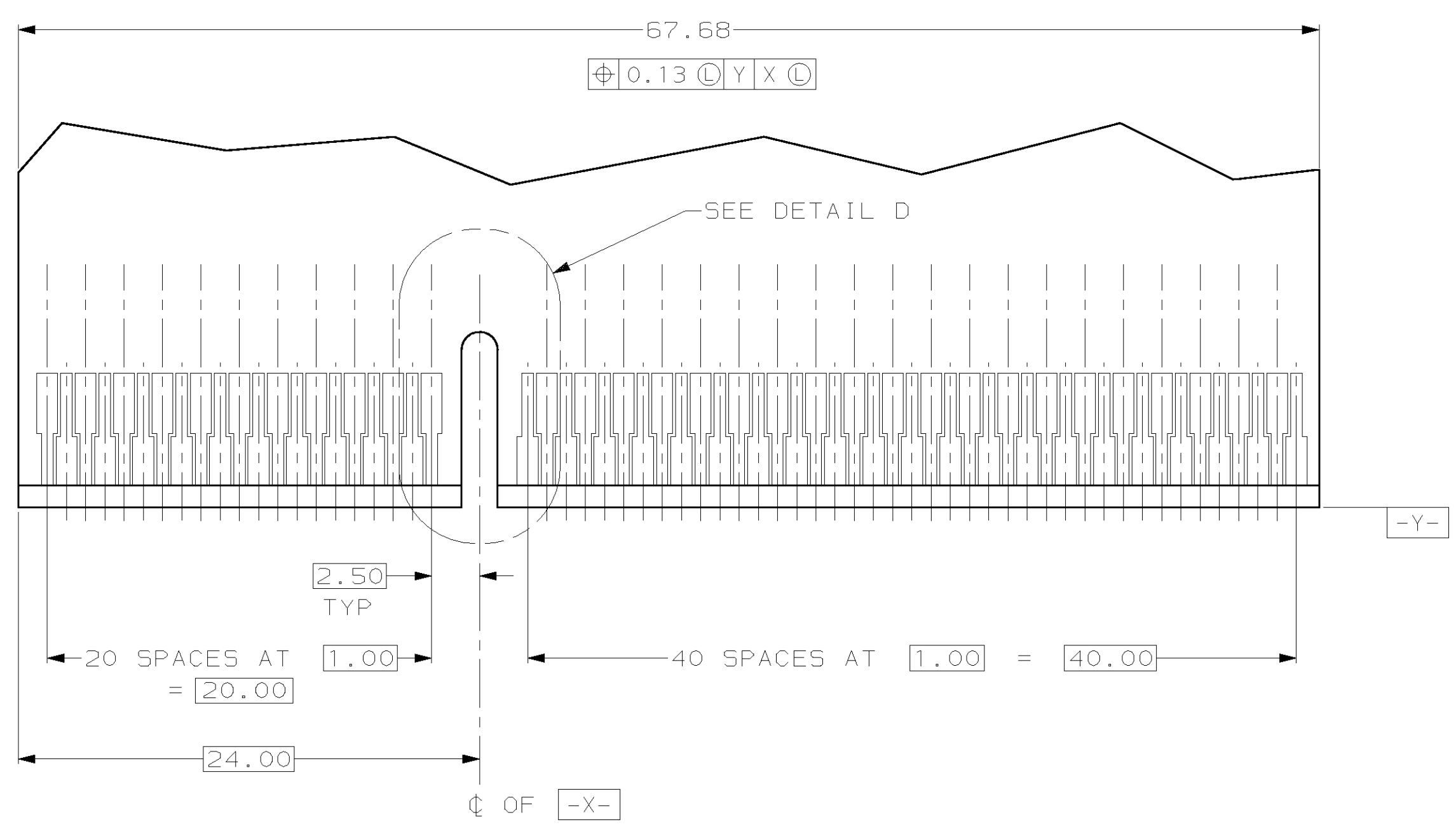
- ① MATERIAL: HOUSING, THERMOPLASTIC, COLOR: BROWN.
CONTACTS, PHOSPHOR BRONZE.
HOLD-DOWNS, BRASS.
- ② FINISH: CONTACTS, 1.27 MIN. MICROMETERS NICKEL ALL OVER,
0.38 MIN. MICROMETERS GOLD OVER NICKEL IN CONTACT AREA,
2.54 MIN MICROMETERS TIN-LEAD OVER NICKEL ON SOLDER TAILS.
- ③ FINISH: CONTACTS, 1.27 MIN. MICROMETERS NICKEL ALL OVER,
0.0254-0.0762 MICROMETERS GOLD OVER NICKEL IN CONTACT AREA.
2.54 MIN. MICROMETERS TIN-LEAD OVER NICKEL ON SOLDER TAILS.

③	3.18	145263-6
③	2.54	145263-5
③	3.18	145263-3
③	2.54	145263-2
③	2.16	145263-1
PLATING	W	PART NO

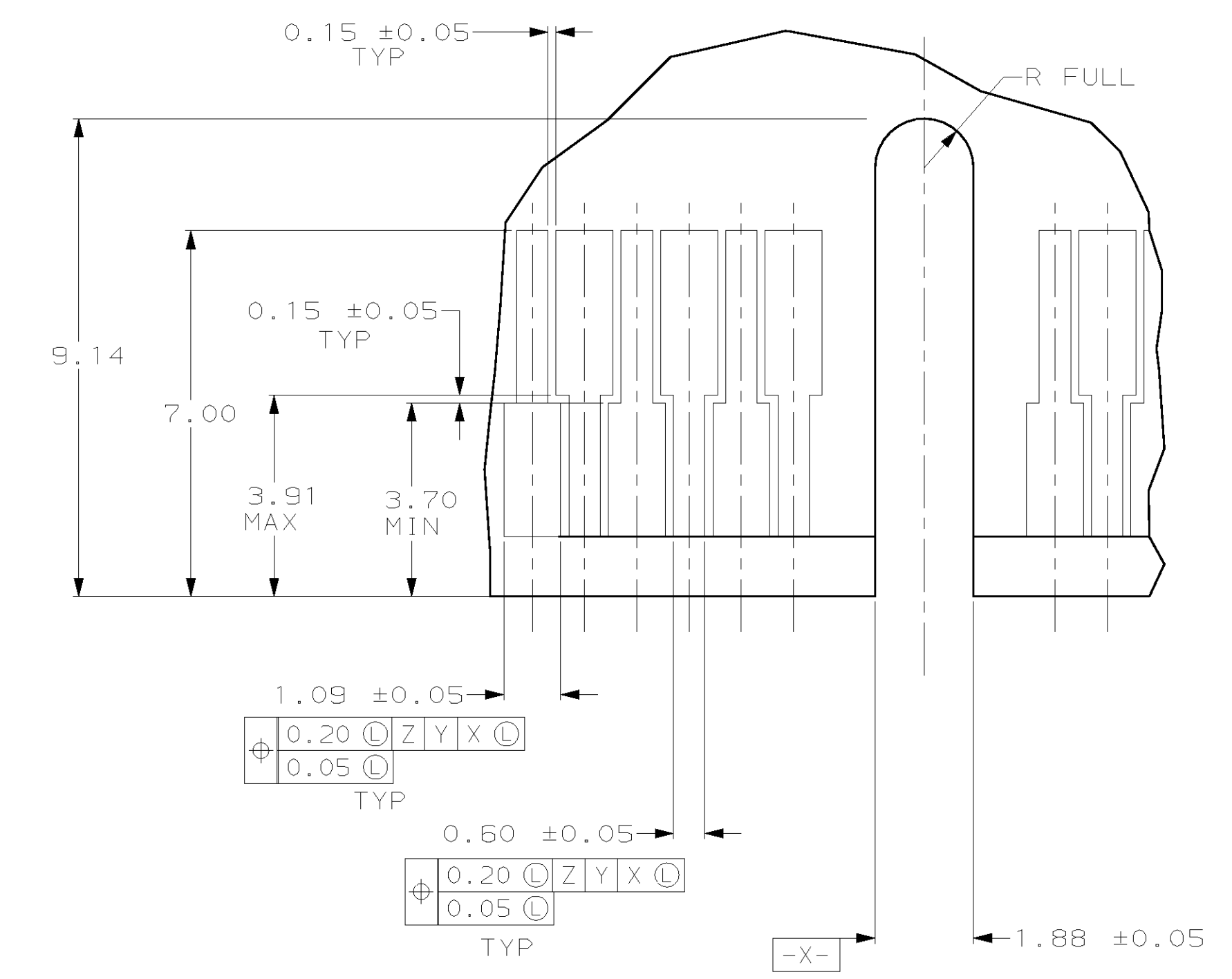
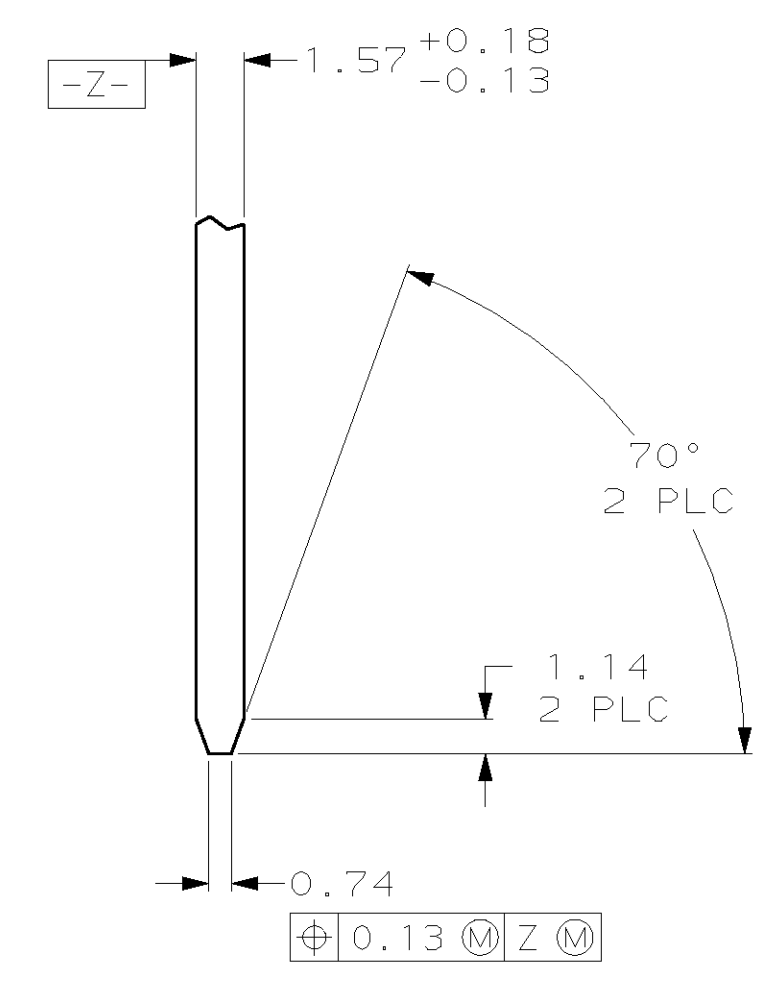
THIS DRAWING IS A CONTROLLED DOCUMENT.		DWN R BROWN 1/7/97	AMP Incorporated Harrisburg, PA 17105-3608
DIMENSIONS: mm		CHK M BOWERS 1/7/97	
TOLERANCES UNLESS OTHERWISE SPECIFIED:		APVD D SARVER 1/7/97	NAME ASSEMBLY, 124 POSITION 1mm, CARD EDGE CONNECTOR
0 PLC ± 1 PLC ± 2 PLC ±0.13 3 PLC ± 4 PLC ± DIMENSIONAL FINISH 42°		PRODUCT SPEC APPLICATION SPEC	SIZE A1 00779
MATERIAL		WEIGHT	DRAWING NO C-145263
FINISH		CUSTOMER DRAWING	SCALE 4:1 SHEET 1 OF 2 REV H



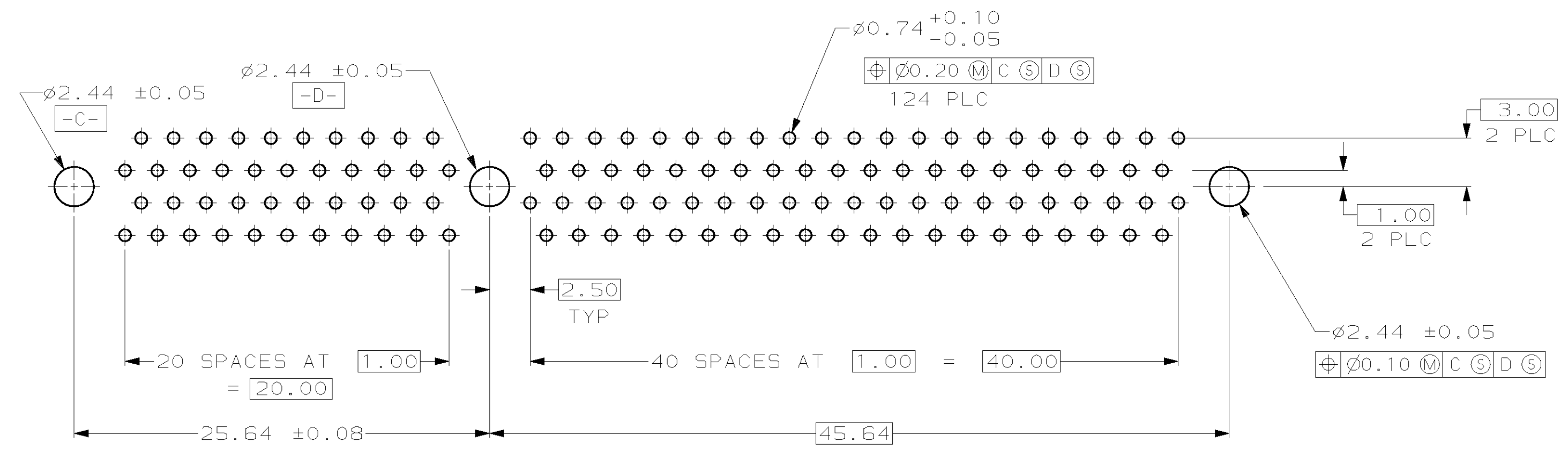
RECOMMENDED CONNECTOR MATING PAD PATTERN
 (SECONDARY SIDE SHOWN)



RECOMMENDED CONNECTOR MATING PAD PATTERN
 (PRIMARY SIDE SHOWN)



DETAIL D
 SCALE 10:1



RECOMMENDED CONNECTOR MOUNTING HOLE PATTERN
 (CONNECTOR SIDE SHOWN)

THIS DRAWING IS A CONTROLLED DOCUMENT.		DWN R. BROWN 1/7/97	AMP Incorporated Harrisburg, PA 17105-3608
DIMENSIONS: mm		CHK M. BOWERS 1/7/97	
TOLERANCES UNLESS OTHERWISE SPECIFIED:		APPROV D. SARVER 1/7/97	NAME
0 PLC ±	1 PLC ±	PRODUCT SPEC	ASSEMBLY, 124 POSITION 1mm CARD EDGE CONNECTOR
2 PLC ±0.13	3 PLC ±	APPLICATION SPEC	SIZE CAGE CODE DRAWING NO
4 PLC ±	ANGLES ±	WEIGHT	A1 00779 C-145263
MATERIAL	FINISH	CUSTOMER DRAWING	SCALE 4:1 SHEET 2 OF 2 REV H